

DIMANT MEDALLION WOOD WALL PANELS



PRODUCT SPECIFICATIONS

SLAT DIMENSIONS	Overall standard thickness is 1 3/8" Panels include a 3/4" thick nominal veneered backer (11/16" actual) Standard individual slat size is 1" face, 11/16" visible depth (3/4" depth, routed 1/16" into backer) <i>*see drawing on page 3 for medallion dimensions</i>
PANEL WIDTHS	Panel supplied up to 4' maximum Trim overlaps to hide vertical seams
PANEL HEIGHT	Standard height is 8' Up to 10' available (price increase)
MINIMUM	100sf
FINISH	Unfinished or prefinished
INSTALLATION	See page 4 for installation information.

NOTE: Pricing of all solid wood and veneer products experience fluctuations. Please reach out for current pricing for your specific project.

DIMANT MEDALLION WOOD WALL PANELS

PRODUCT DATA

Description: Three-dimensional wall panels with solid wood slats and veneer backer on MDF.

Species Options: Select White Oak, Select Walnut

Source Options: Sustainably Managed Midwest Forests (Select Harvest), FSC® Certified Available on Request (FSC-C199866)

Dimensions: 4'x8' panels standard

Weight: 2-3lbs per SF

Core: 11/16" MDF, NAF, TSCA Title VI Compliant, Class A Fire Rated and/or FSC Certified Core available on request (FSC-C199866)

Finish Options: All standard finishes are Class A Fire Rated.

Additional Options: Trim and corner pieces available as well as baseboard for an additional charge. Unfinished wall panels are available upon request.

Site Conditions: For most installations, we recommend a climatic temperature between 55 to 75 degrees Fahrenheit and 30% to 50% humidity level. Environments that do not meet these criteria will cause wood to experience shrinking and swelling issues that damage the product. We cannot guarantee our product's performance in such environments.

Installation: Installation materials are not included and must be purchased separately. We recommend screwing the panel directly to studs through the routing pattern before attaching the medallions and slats. Medallions and slats can be face nailed to the panels. Adhesive is optional. Please reference drawing on page 4.

Grain and Allowances: Natural color and grain variation occur across panels. White Oak and Walnut panels may include sapwood up to 10% of total panel. Small, sound pin knots may occur in solid wood slats.

LEED: Urban Evolutions veneer panels may contribute toward satisfying the following credits under LEED® v4.1:

M&R – Material Ingredients - Declare

M&R – Sourcing of Raw Materials – Material Reuse (Urban Wood)

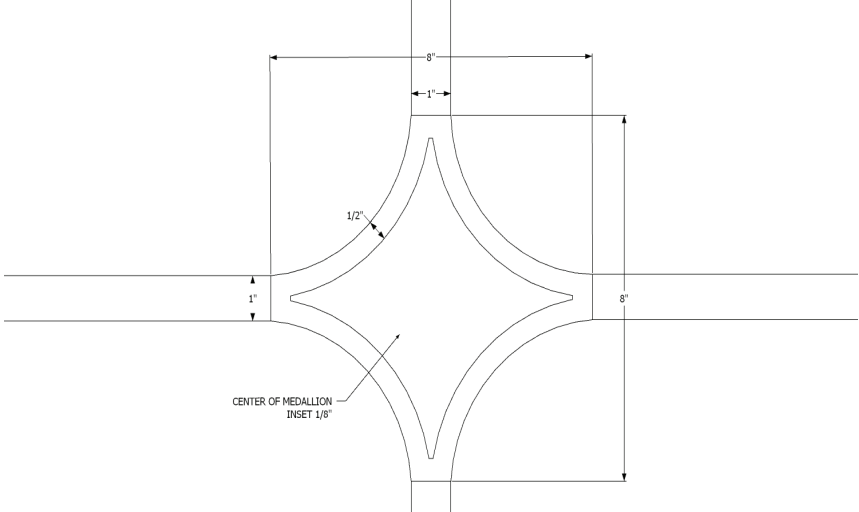
IEQ – Low-Emitting Materials – Formaldehyde Emissions Evaluation (MDF)

Sustainability: Our wood wall panels are Living Building Challenge Red List Free, feature Greenguard Gold finish options, and use Eco-Certified MDF. Please reach out to Emma Kiel at emma@urbanevolutions.com for sustainability inquiries and Matt Rasmussen at matt@urbanevolutions.com for technical specifications.

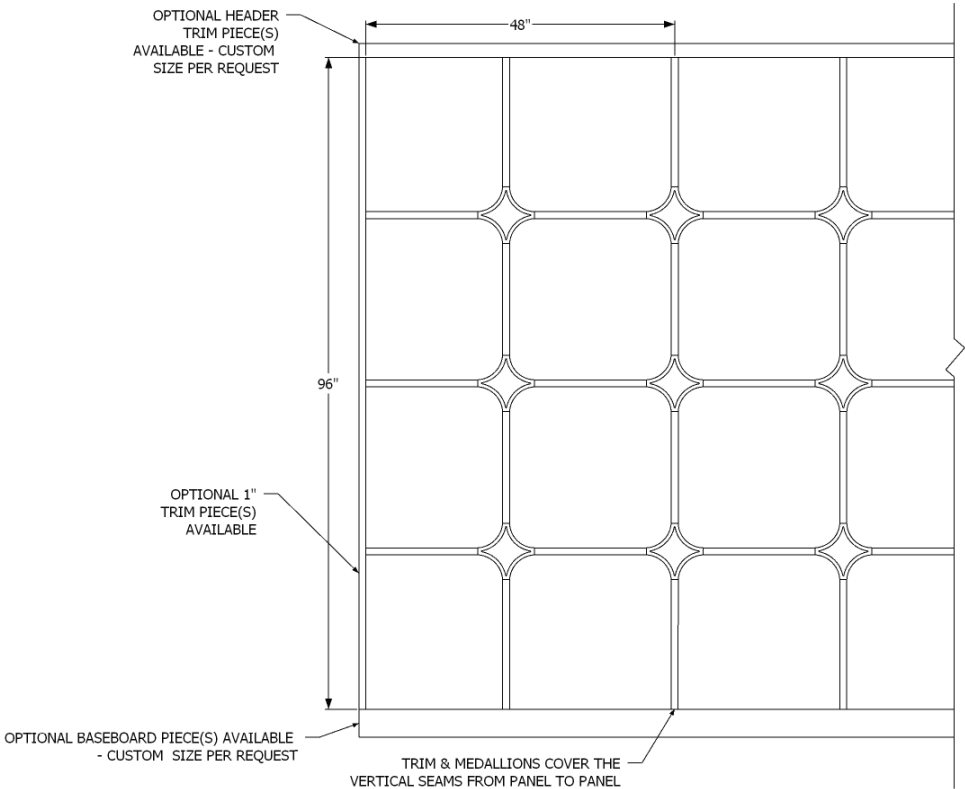
DIMANT MEDALLION WOOD WALL PANELS

PRODUCT IMAGES

Medallion Dimensions



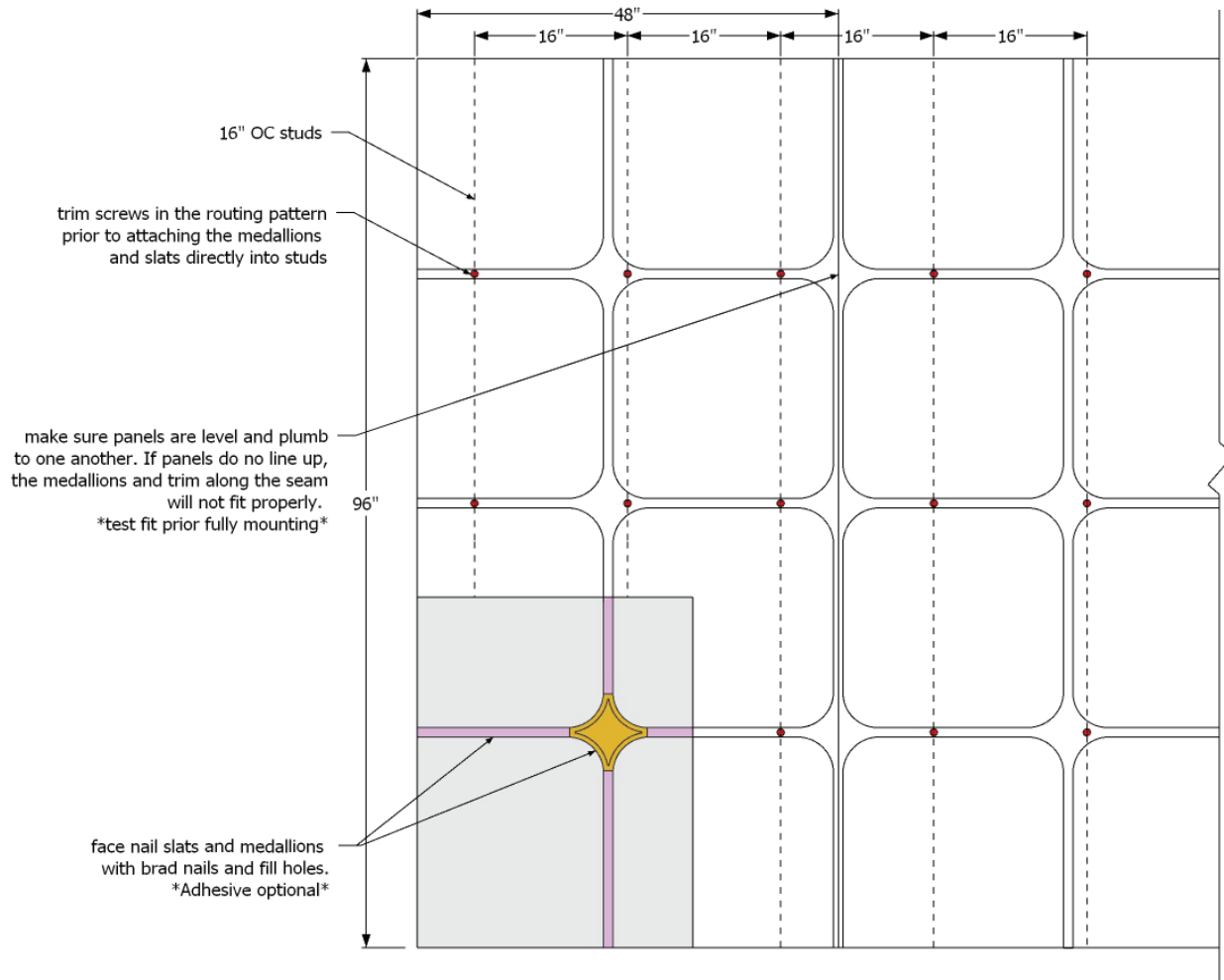
Panel Details



DIMANT MEDALLION WOOD WALL PANELS

RECOMMENDED INSTALLATION

Installation materials are not included and must be purchased separately. We recommend screwing the panel directly to studs through the routing pattern before attaching the medallions and slats. Medallions and slats can be face nailed to the panels.



Alternate installation: MF375 Monarch Z-Clips can also be used to attach panels to wall. Slats and medallions will still need to be face nailed to the panels.

Note: Slats and medallions are pre-fabricated and disassembled. For easy installation, slats and medallions are numbered accordingly.